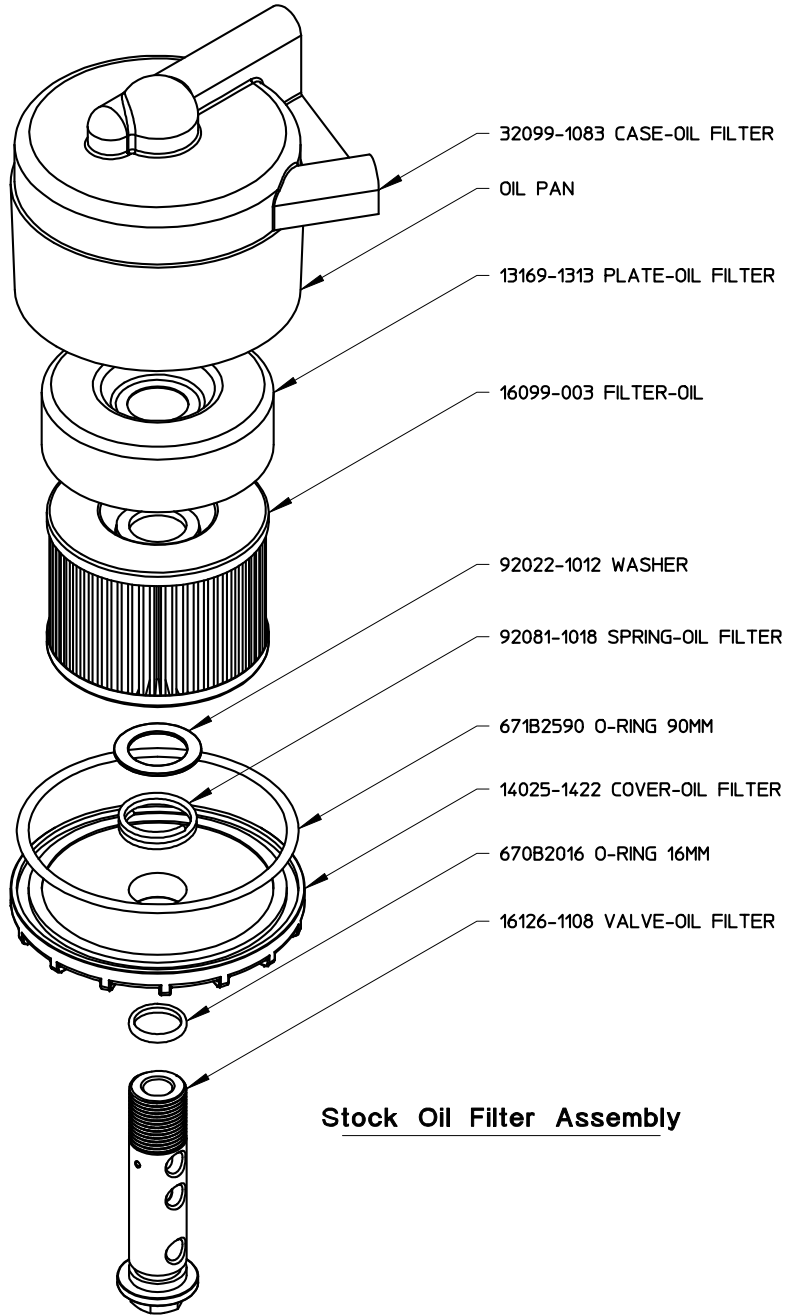
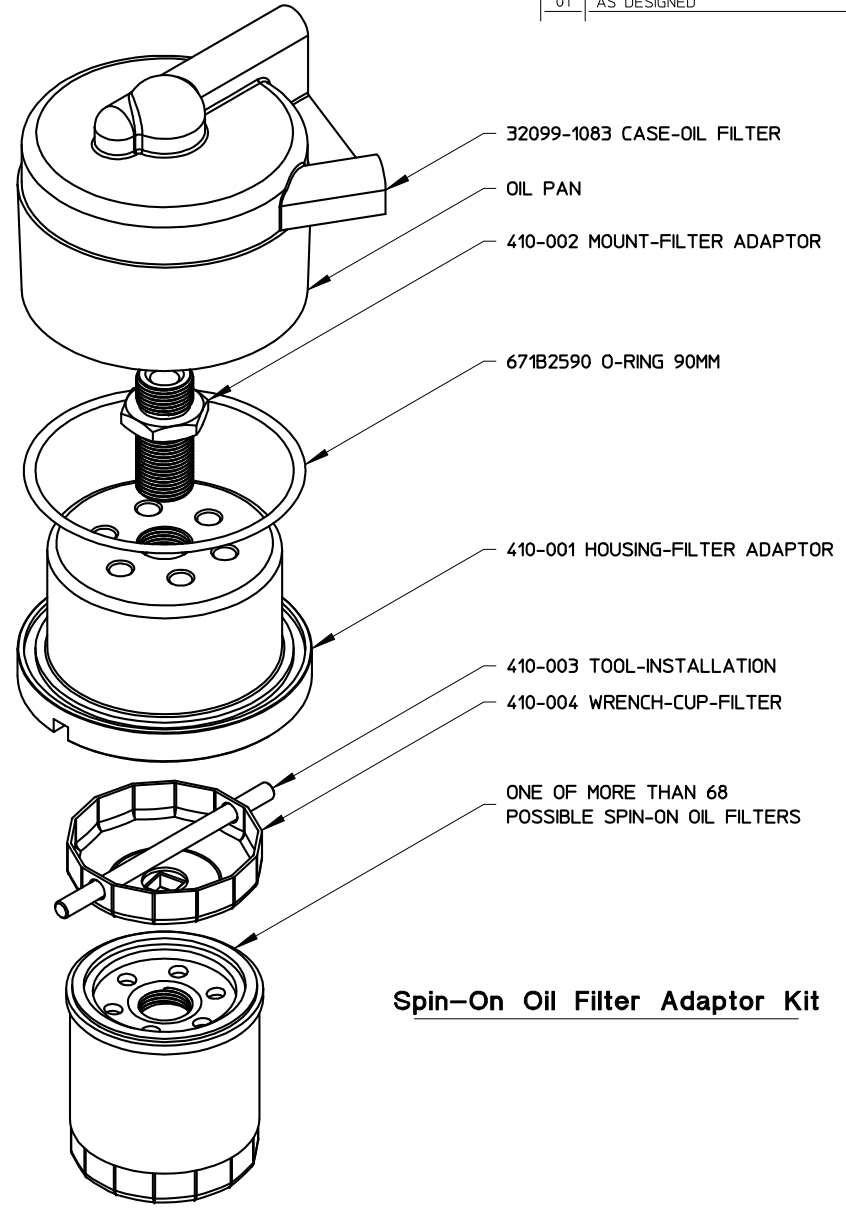


SYM	REVISIONS	APPROVED	DATE
01	AS DESIGNED	Bergmen	01-17-06



**Stock Oil Filter Assembly**



**Spin-On Oil Filter Adaptor Kit**

BERGMEN ENGINEERING, INC. PROPRIETARY  
 THIS DOCUMENT CONTAINS CONFIDENTIAL AND PROPRIETARY  
 INFORMATION THAT IS THE PROPERTY OF BERGMEN ENGINEERING, INC.  
 THAT MAY NOT BE DISCLOSED TO OR DUPLICATED FOR  
 OTHERS EXCEPT AS AUTHORIZED BY BERGMEN ENGINEERING, INC.

Don Bergmen DRAWN BY	01-17-06 DATE	-EXPLODED VIEW- STOCK VS SPIN-ON TITLE	<b>BERGMEN ENGINEERING, INC.</b>
Don Bergmen ENGINEER	01-17-06 DATE		
RELEASE TO PROD.	DATE	NEXT ASSEMBLY N/A	REVISION 01
SUPERSEDES DWG.	DATE	FINISH NONE SCALE NONE	