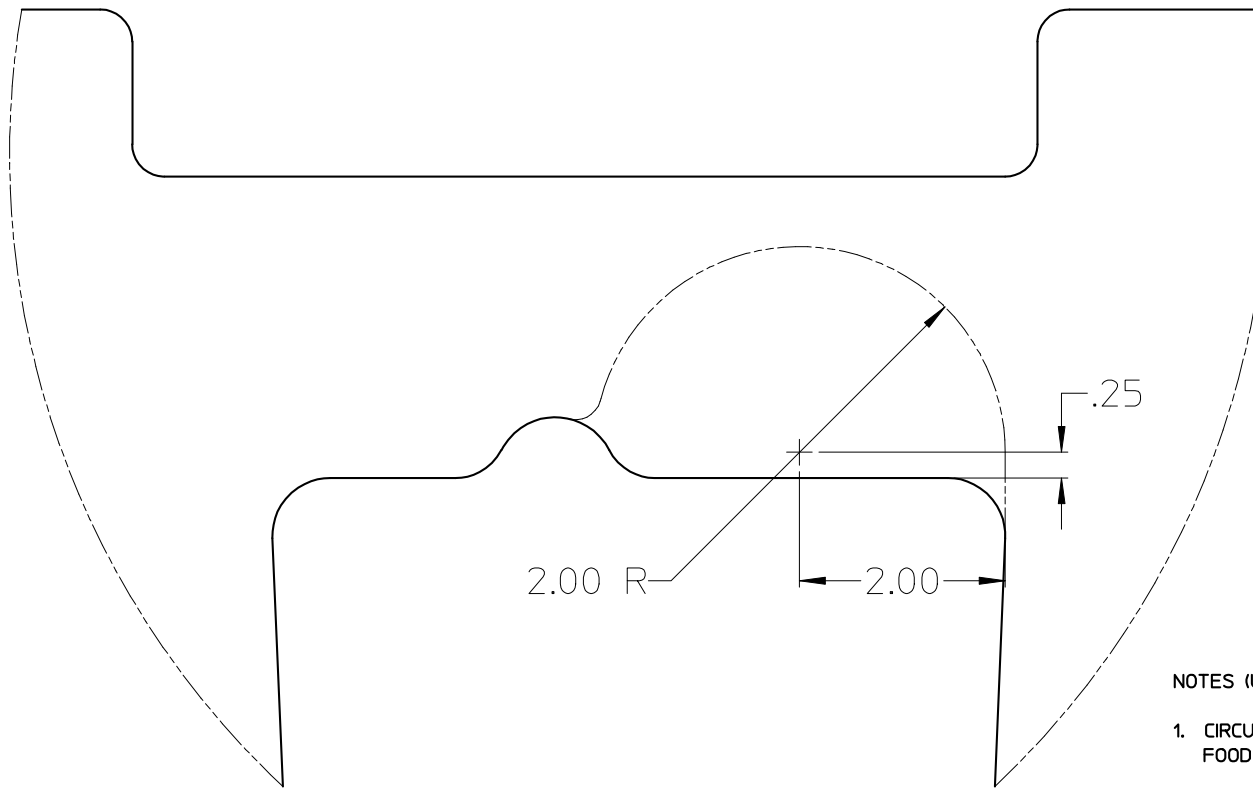


| | | | |
|-----|-------------|----------|---------|
| SYM | REVISIONS | APPROVED | DATE |
| 01 | AS DESIGNED | | 2-17-06 |



NOTES (UNLESS OTHERWISE SPECIFIED):

1. CIRCULAR FEATURE CAN BE TRACED USING PLASTIC TOP OF FOOD CONTAINER OR OTHER CONVENIENT ROUND SHAPE.
2. CUT CAN BE MADE WITH DREMEL TOOL OR BY HAND WITH COPING SAW.
3. EDGES CAN BE SANDED OR FILED TO DEBURR.

BERGMEN ENGINEERING, INC. PROPRIETARY
 THIS DOCUMENT CONTAINS CONFIDENTIAL AND PROPRIETARY
 INFORMATION THAT IS THE PROPERTY OF BERGMEN ENGINEERING, INC.
 THAT MAY NOT BE DISCLOSED TO OR DUPLICATED FOR
 OTHERS EXCEPT AS AUTHORIZED BY BERGMEN ENGINEERING, INC.

| 1 | A/R | PART | - | - | - |
|-------------------------|------|----------------------|-------------------------------------|---------------|--------------------------------------|
| ITEM | QTY. | MATERIAL-DESCRIPTION | MATL-PART NO. | MATL-DWG. NO. | MATL-SPEC. |
| Dan Bergmen DRAWN BY | | 2-17-06 DATE | MODIFICATION- CONCOURS BELLY PAN | | BERGMEN ENGINEERING, INC. |
| Dan Bergmen ENGINEER | | 2-17-06 DATE | | | |
| RELEASE TO PROD. | | DATE | NEXT ASSEMBLY | N/A | REVISION 01 |
| SUPERSEDES DWG. | | DATE | FINISH | NONE | SCALE 1:1 |